

Highly efficient and professional meeting control

An integrated solution by Bosch and AMX

Challenges

Professional meeting organizers face various challenges when it comes to managing a meeting with a wide variety of AV control and automation options. Effective meeting management requires comprehensive control over all audio and video equipment in the meeting room, such as lighting, temperature regulation, blinds, and shades.

Market requirements

The chairperson is in charge to moderate the meeting but must also manage the various devices in the room. Hence, it is crucial to have a clear understanding of the status of all connected devices and be able to easily access important conference information such as participant list, seat positions, who has the floor, and more.

In partnership with



Bosch Solution: Complete integration with all functionalities

The DICENTIS conference system maximizes speech intelligibility, making your meetings more efficient and more productive. Its IP- and server-based architecture is built on open standards that provides a high degree of flexibility, superior audio performance for up to 100 languages and offers third party integration. The system harnesses the most powerful security protection on the market to safeguard sensitive data throughout the conference chain.

The CCS 1000 D Digital Discussion System is compact, easy to set up, and easy to use. Despite its compact footprint, it provides advanced features and exceptional versatility. Designed especially for quick, plug-and-play installation, it is ideal for small to medium-sized fixed meeting spaces such as town halls, local business centers and courtrooms, as well as for rental companies who can use it for their daily mobile setups.

AMX solution:

The solution of AMX Integrated Controllers with Bosch conference and discussion systems is ideally suited to professional meeting rooms that require advanced control and automation. The AMX NetLinx® NX Integrated Controller delivers a scalable platform and controls a wide variety of components including environmental, audio, and video systems. The AMX Varia touch panel integrates all the functionality into a single, customizable user interface.

The AMX SVSI AVoIP video switching and distribution products deliver pristine video with unnoticeable latency, making them ideal for event broadcasting over standard gigabit networks. SVSI solutions offers flexible video routing, unlimited scalability, and advanced features such as video wall support, video windowing, and recording.

Specific AMX modules have been designed to interface the AMX NX Integrated Controllers with Bosch conference and discussion systems. A list of all available modules is provided [here](#), to make it easier for [AMX integrators](#) to create a custom solution that is perfectly tailored to the end-user's needs. The end result is a solution that provides simplified control over the Bosch conference and discussion system through the AMX Varia Touch Panel, including microphone management, speaker list, waiting list, voting control, attendance registration and much more.

Benefits for the end user (chairperson and operator)

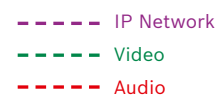
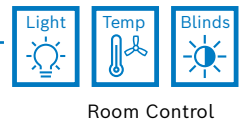
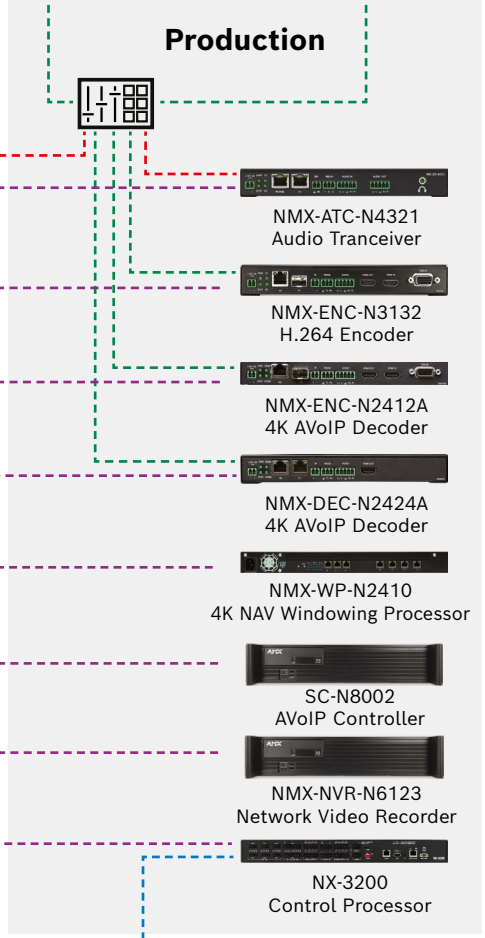
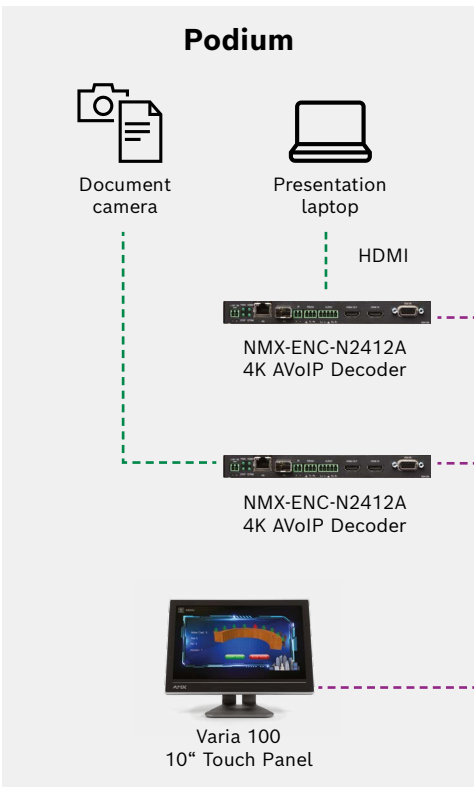
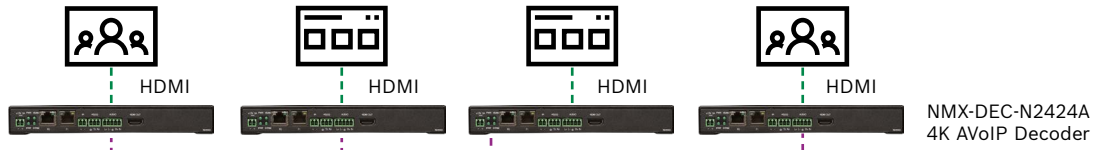
- During a meeting all required facilities can be controlled directly from the AMX control panel. This includes the routing of video streams, lighting controls, and the management of Bosch discussion and conference devices such as microphone management, speaker list, waiting list, voting control, attendance registration and more
- The AMX Varia Touch Panel provides a customized, user-friendly interface, making it easy to control even the most complex systems

Benefits for the system integrator/installer:

- Complete, seamlessly integrated solution with our official integration partner AMX
- Peace of mind due to a tested, reliable solution
- User-friendly, customizable room control solution with certified modules tailored to your specific needs
- Easy to install, setup and configure

Application example:

Hall Displays



Bosch Security and Safety Systems

Visit www.boschsecurity.com for more information.

© Bosch Security Systems B.V. 2023
Modifications reserved.
BT-CO/Bosch_CO_SP_AMX_EN_1